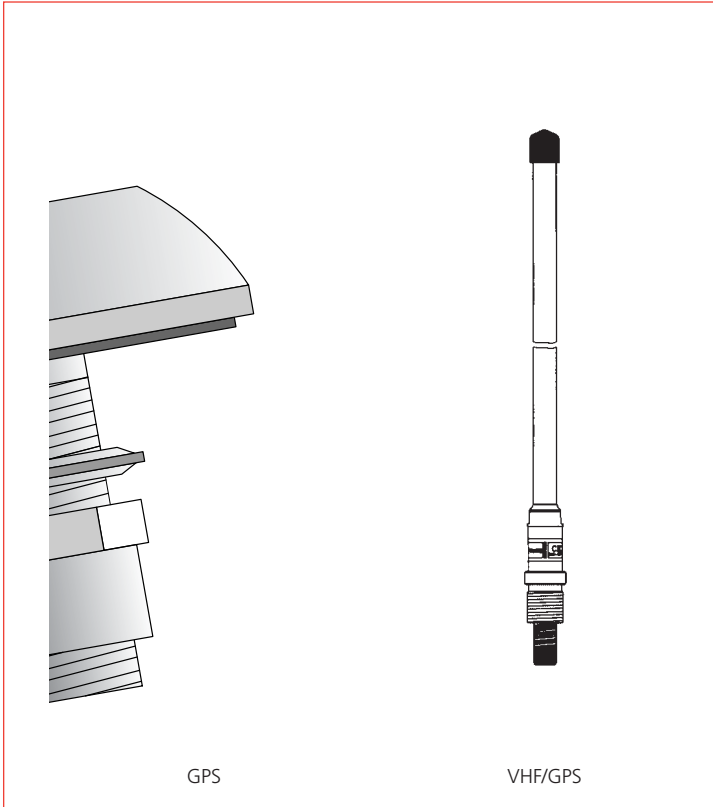


General Description



GPS

VHF/GPS

GPS

The GPS marine antenna is for the frequency 1575.42 MHz and easy to install.

The antenna can be installed directly on the deck - no problem to walk on the antenna - or on a rail mount or any of the 1" - 14 standard marine mounts (together with adaptor N225F).

Adaptor cables will be available for the different manufacturers GPS receivers with FME connector to fit the GPS and the necessary connector for the manufacturer such as SMA, SMB, MCX, MMCX, TNC, BNC, or others

VHF/GPS

The VHF/GPS marine antenna is for the frequencies 156-162,5 and 1575.42MHz. The GPS antenna is a helix type installed in the top of the antenna. A separate filter is included. (See below picture).

The GPS has a built-in LNA. The VHF/GPS antenna has the AC Marine rugged design and quality. And can be used with the standard AC Marine mounts.

Includes 2 sets cables:
1m with FME and UHF (for VHF radio)
0,3m with FME and N(for antenna)

Electrical Specifications

Model:	GPS	GPS/VHF
Frequency Range - [MHz]	1575.42	156-162,5/1575,42
Power	3.0-5.5 VDC	35W/3-5VDC
VSWR	< 2:1	<2:1
Gain - [dBd/Marine dB]	26	0/18
Impedance - [Ω]	50	50

Mechanical Specifications

Model:	GPS	GPS/VHF
Material	ABS, Brass, St. Steel	-
Dimensions [mm] / Length [m/ft]	47 x 51	1.1/3.8
Weight - [kg/lbs]	0.06/0.16	0.6/1.6
Connector	FME Male	N-Female
Mounting Supplied	-	N240F



All information contained in the present brochure is subject to confirmation at time of ordering

Please visit us on the internet at <http://www.acmarine.dk>